

INNOVV™

Protect Your Road Trip and Record Fun On The Way

INNOVV N1 Camera System

Intended For Powersports (Motorcycle, ATVs, UTVs & Others)
www.innovv.com | shop.innovv.com

INNOVV N1 Product Overview

INNOVV N1 is a dedicated motorcycle smart riding system, integrating dual-channel 1920*1080 30fps video recording, supporting mobile phone integration (iOS Car Play, Android Auto), offering rear-view streaming assistance, video playback, parking monitoring, and high-definition, high-brightness, full-screen touch interface. Built with an aluminum body for increased durability, it features two compact and easy-to-install cameras. The practical mobile connectivity features provide simple and effective solutions to the challenges of using the mobile phone while riding. Navigating maps, accessing information, or handling calls becomes seamless with the 5.5-inch full-screen touchscreen, enhancing every aspect of your ride and capturing all the thrilling moments effortlessly.

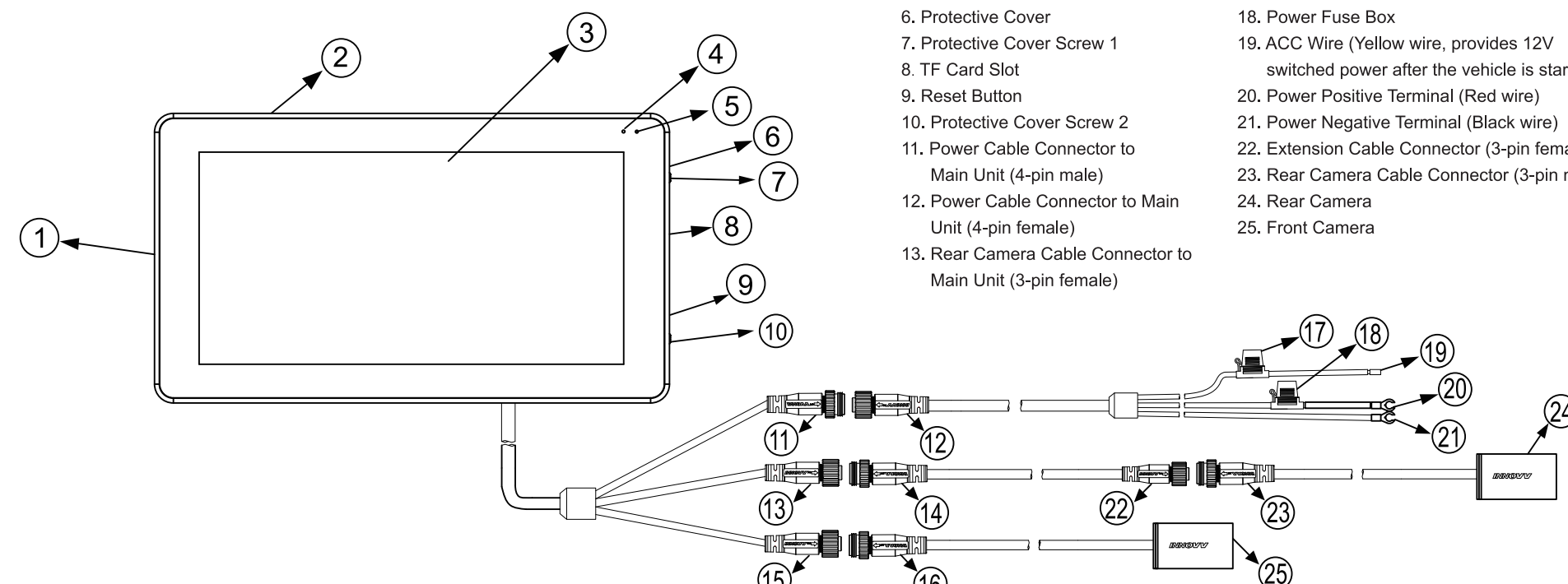
Product Features:

- 5.5-inch high-brightness, high-definition full-screen touch interface.
- Mobile phone connectivity (iOS Car Play, Android Auto).
- Dual front and rear cameras with 1080P+1080P 30FPS recording.
- Rear-view streaming media assistance.
- F2.0 large aperture ultra-high-definition all-glass lens, effectively improving image quality and reducing distortion.
- H.265 high-efficiency video coding technology.
- Supports up to 256GB storage cards.
- Dual-band WIFI solution, with the 5.8G band offering higher transmission rates and stability.
- The whole device is waterproof with an IP67 rating, meeting outdoor rain and dustproof requirements.

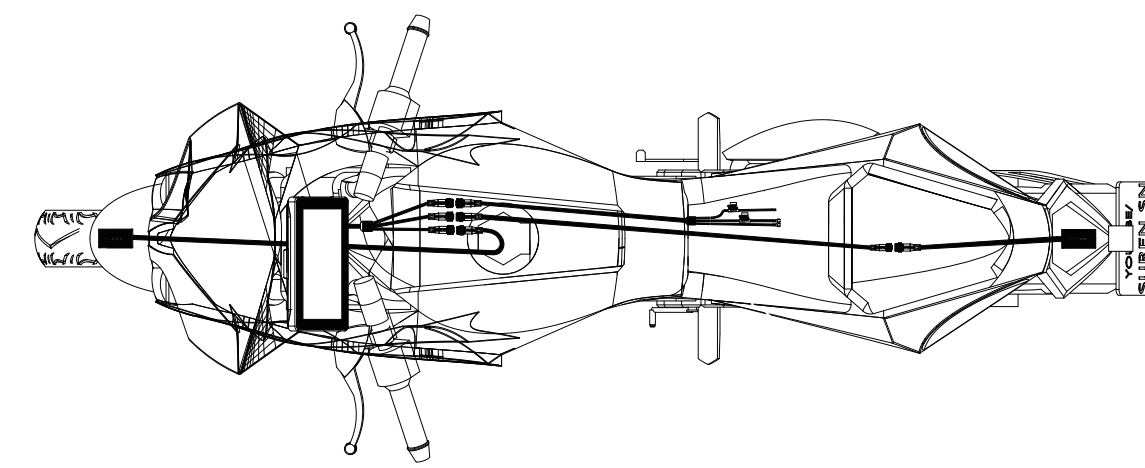


Brief Introduction

- DVR
- Microphone
- Touchscreen Display
- Light Sensor
- Power Indicator
- Protective Cover
- Protective Cover Screw 1
- TF Card Slot
- Reset Button
- Protective Cover Screw 2
- Power Cable Connector to Main Unit (4-pin male)
- Power Cable Connector to Main Unit (4-pin female)
- Rear Camera Cable Connector to Main Unit (3-pin female)
- Extension Cable Connector (3-pin male)
- Main Unit (3-pin female)
- Front camera cable connector (3-pin male)
- ACC Fuse Box
- Power Fuse Box
- ACC Wire (Yellow wire, provides 12V switched power after the vehicle is started)
- Power Positive Terminal (Red wire)
- Power Negative Terminal (Black wire)
- Extension Cable Connector (3-pin female)
- Rear Camera Cable Connector (3-pin male)
- Rear Camera
- Front Camera



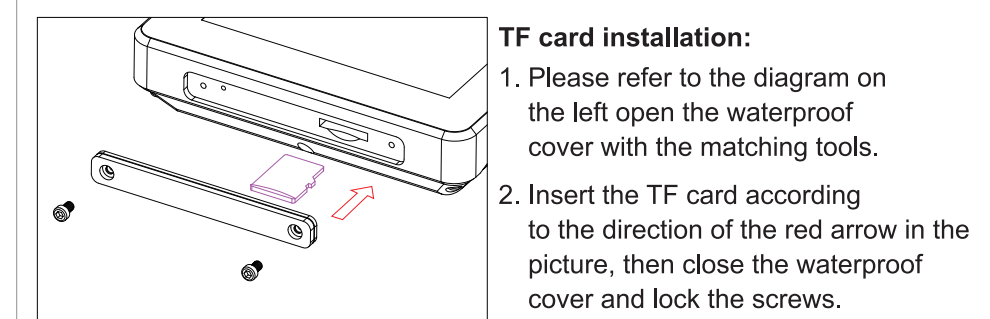
Installation Diagram



www.innovv.com

Installation Guide

TF-Card Instructions & Installation



TF card installation:
1. Please refer to the diagram on the left open the waterproof cover with the matching tools.
2. Insert the TF card according to the direction of the red arrow in the picture, then close the waterproof cover and lock the screws.

Reminder: The water may enter and damage the host if the waterproof cover is not properly fixed in place.

Installation Guide Of The DVR Bracket

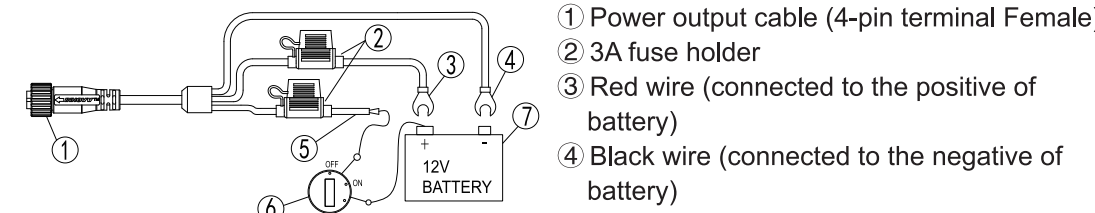
Installation Guide:

- Take out the corresponding mount accessories and tools from the accessory package according to the diagram on the right;
- Confirm the suitable position where the motorcycle can install the equipment, and then find the stable support rod of the original vehicle. Trial whether the installation is in line with your sight.
- Match the rubber ring according to the diameter of the support rod to achieve the best fastening effect.
- Please fix the mount on the motorcycle support rod first, then install the DVR display and adjust to the suitable viewing angle, and then tight the mount screws.

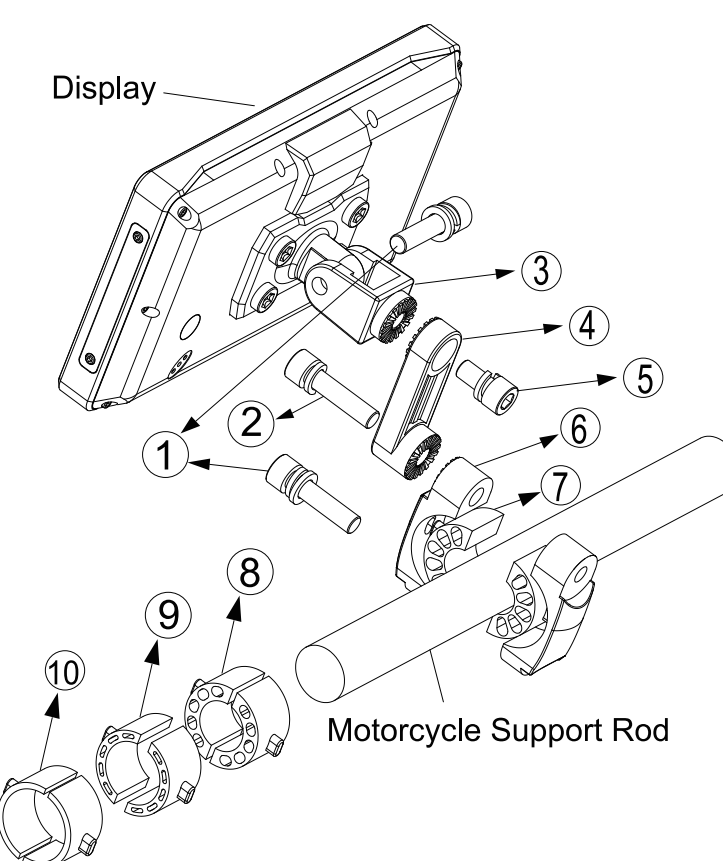
Kind tips:

- Please read the instructions carefully before installing. Understand product features and instructions for use, and check the packing list for accessories.
- Confirm whether the vehicle meets the power supply requirements of the equipment. Testing the equipment first and then installing and fixing the equipment to the vehicle.

Power Connection

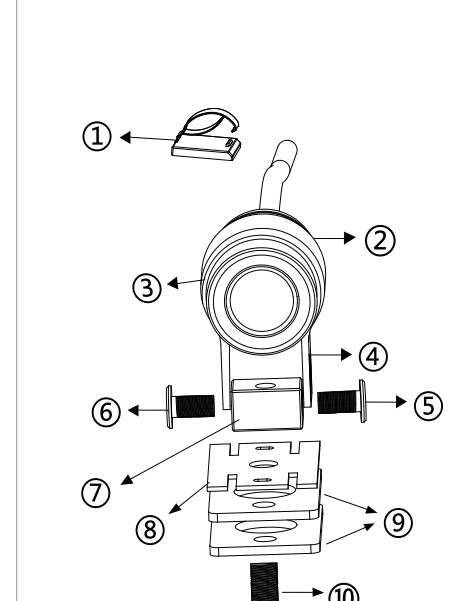


- ACC power cable (yellow), controls the power on and off.
- Motorcycle electric key lock.
- Motorcycle battery.



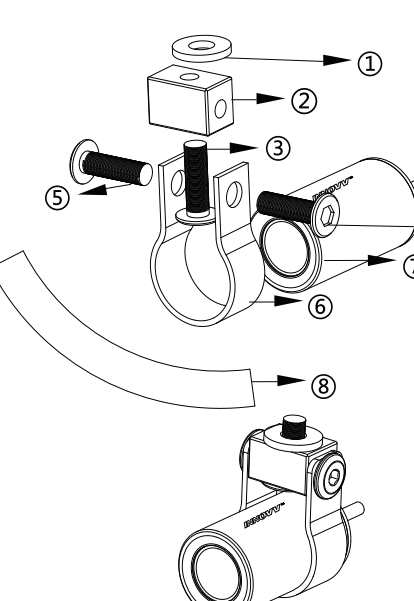
- M6*30mm screws*2 pieces
- M6*35 mm screw*1 piece
- Steering bracket
- Connecting rod bracket
- M6*18 mm screw*1 piece
- Small block
- Rubber ring 12mm
- Rubber ring 15mm
- Rubber ring 18.5mm
- Rubber ring 23mm

Camera Installation



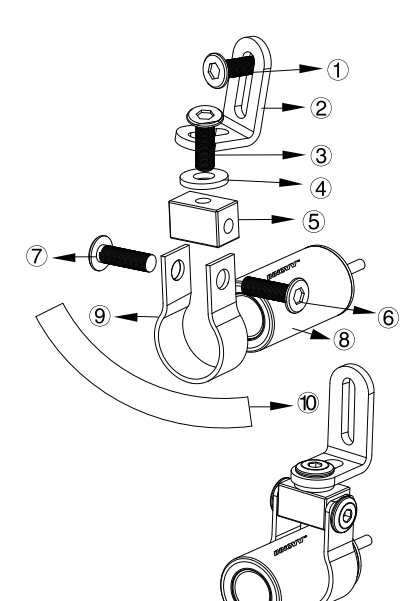
- Cable clip
- Camera
- 3M rubber cushion
- U-shaped bracket
- M6*8 mm screws*2 pieces
- Small block
- Fixed piece
- 3M double-sided tape
- M6*25 mm screw *1 piece

Camera Installation



- Rubber Mat
- Small Block
- One M6*25mm Screw
- Two M6*8mm Screws
- U-shaped Bracket
- Camera
- 3M Rubber Cushion

Camera Installation



- M6*25 mm screw *1 piece
- L-shaped bracket
- M6*12 mm screw *1 piece
- Rubber mat
- Small block
- M6*8 mm screws*2 pieces
- Camera
- U-shaped bracket
- 3M rubber cushion

www.innovv.com

INNOVV™

Protect Your Road Trip and Record Fun On The Way

INNOVV N1 Camera System

Intended For Powersports (Motorcycle, ATVs, UTVs & Others)
www.innovv.com | shop.innovv.com

Functional Description

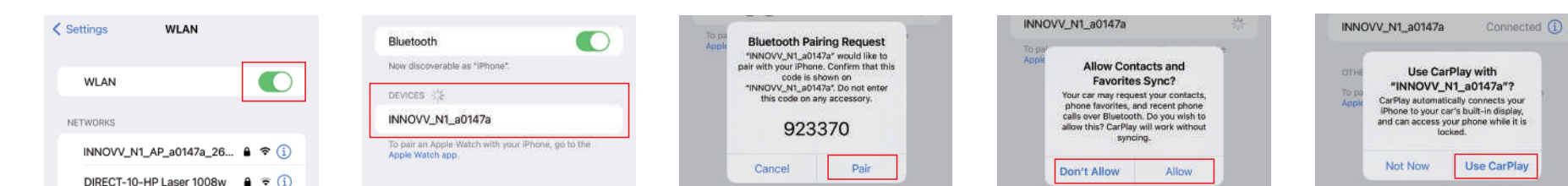
System Interface Introduction



Mobile Phone Connection Steps

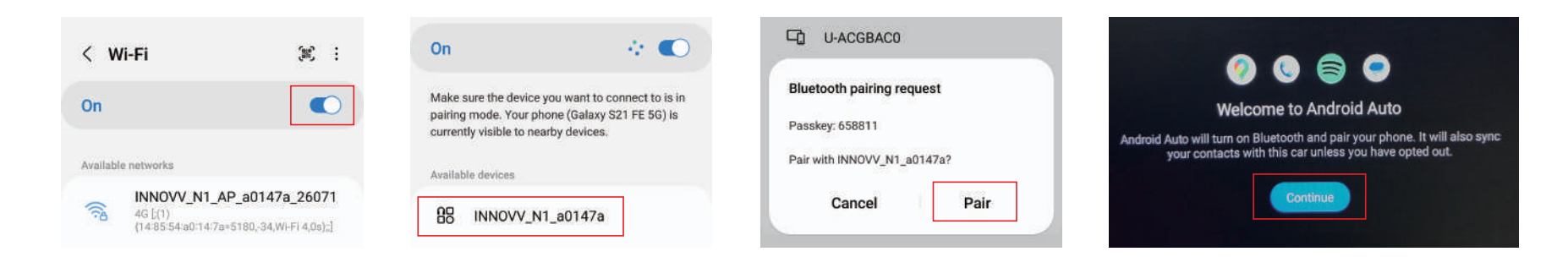
IOS Users:

- Click on the main screen.
- Enable both Wi-Fi and Bluetooth on your phone simultaneously. Search for the Bluetooth device named INNOVV_N1_*** and actively connect to it.
- Once the device is connected, your phone will prompt you to pair via Bluetooth. Select "Pair" and, when prompted, choose whether to allow synchronization of contacts and favorites. After a moment, please select "Use CarPlay while driving" to complete the device connection.
- The CarPlay interface will be displayed on the screen. You can exit the CarPlay interface by pressing the Home button .



Android Users:

- Click on the main screen.
- Turn on Wi-Fi and Bluetooth at the same time on your phone, and search for a device with the Bluetooth name INNOVV_N1_***, and then click on this device to connect.
- The phone will prompt a Bluetooth pairing request once the device is connected, please select pairing. Then please select Continue when the display prompts "Welcome to use Android Auto", at this time, the device has completed the connection.
- The Android Auto interface will be displayed on the screen. You can exit the Android Auto interface by pressing the icon.



www.innovv.com

INNOVV™

Protect Your Road Trip and Record Fun On The Way

INNOVV N1 Camera System

Intended For Powersports (Motorcycle, ATVs, UTVs & Others)
www.innovv.com | shop.innovv.com

1. Power Indicator Instructions:

The indicator remains solid when the N1 is not recording and flashes when it is recording.

2. Navigation Voice Instructions:

As the DVR lacks an external microphone, please connect your phone and headset via Bluetooth to receive audio navigation.

3. First Time Use Instructions

When INNOVV N1 is used for the first time, the user will be guided to set the application language and time after the system is powered on. (When the N1 system is connected to the phone, the time on the N1 system will also be synchronized with the mobile phone)

4. TF Card Instruction

The N1 supports TF cards with a capacity from 16GB to 256GB. The selected TF card should have a writing speed higher than U1.

5. Rear-View Streaming Auxiliary Instruction

Click the "Tachograph" on the display, enter into the video surveillance mode, it is allowed to slide left or right to choose and check the real-time rear-view recording video.

6. How to Update Firmware

- Copy the firmware (SigmastarUpgradeSD.bin) to the root of the TF card. (Please use 8 to 32GB TF cards and the TF cards should be formatted into FAT32 in advance.) (PS: this step should be operated on a PC system)
- Insert the TF card into the N1, then turn the N1 on, the upgrade progress bar can be viewed on the screen. When the firmware upgrade is completed, the user will be guided to reset the application language and time, and the firmware in the TF card will be automatically deleted.

Specification

Model: N1		Camera Parameters	
Structure Parameters	Side Mounted/Front Mounted	Maximum Resolution	1080P@30FPS
Installation	150*85*22mm	Viewing Angle	120°
Size of DVR	Dia25*1.35mm	Structure	4G+11R
Size of Lens		Aperture	F2.0
Weight of DVR	380g	Cable Length	0.6M
Color	Black	Weight of Lens	50g
Waterproof Rate	IP67		
Specifications			
Processor	A53 Dual-core	Size	5.5inches
RAM	2G	Resolution	1440*720
Operational System	Linux	Brightness	800cd/m²
Operation Method	Finger Touch	Aspect Ratio	18.9
Image Sensor	SONY STARVIS IMX307	Video Parameters	Front 1920*1080, 30fps
Bluetooth	Bluetooth V2	Parameters	Rear 1920*1080, 30fps
Wireless Connection	WiFi (2.4G/5.0G)	Voltage Input	9-16V
Sensor	G-sensor	ACC Input	9-16V
Video Encoding	H.265	Working Current	12V, 550mA
Storage Method	TF Card	Stand-by Current	~2mA
TF card capacity	Class10 16GB-256GB	Operating Temperature	-20°C - +65°C
Video Format	MP4	Storage Temperature	-30°C - +80°C
Microphone	-4db		

Package Included

Name	Quantity
DVR and Display	1pcs
0.6 Meters Extended Cable	2 pcs
2.5 Meters Extended Cable	1 pcs
Power Supply Cable	1 pcs
Accessory Kit	3 pcs
Manual	1 pcs

7. Restart the N1 System

Open the waterproof cover on the right side of the DVR, find the hole near the slot of the TF card, and press it with a needle bar to restart the system.

8. Factory Reset

Step 1: choose the "Settings" on the screen.
Step 2: select "Factory Reset".
Step 3: the system will automatically shut down, restart and remove the connection memory between the phone and N1.

9. Parking Mode Instruction

- If the parking monitoring mode is turned on, the N1 system will provide all-day protection when the ignition is off. The N1 system adopts smart power management, when the built-in G-Sensor detects a collision or movement, the N1 system will wake up and start recording.
- In order to run the parking mode properly, please ensure that the N1 is always connected to the power supply: red wire-positive terminal black wire-negative terminal yellow wire-ACC wire (bike lock power switch).
- When the battery voltage is lower than 12.5V, the DVR will turn off the parking monitoring function to prevent the battery from over-discharging and causing the vehicle engine to fail to start normally.

Troubleshootings

- The camera is shaking while riding, and the videos are jittery.
Please check if the camera is parallel to the ground and confirm if the screws are tightened enough.
- The DVR mount gets loose even though the screws are tightened.
Please add a silicon plate to strengthen the resistance between the bracket and handbar.
- The video is blurry.
Please check if the lenses are clean without any finger marks, dust, or other smudges, and wipe the lenses with a dust-free cloth.
- The DVR is not working after the motorcycle ignition is on.
Please check the yellow ACC wire and other cable connections first.
- The INNOVV N1 fails to record.
Please check if the TF card is inserted properly or select another TF card and try again.
- There is no image from the cameras.
Please check if the camera connector is loose and if the connection wires are damaged or broken.
- When there is a problem with the DVR, you can open the waterproof cover on the right side of the DVR with the accompanying tool and press the reset button with a thin paper clip-type lever to allow the system to reboot.
- There is no audio in the video.
1. Please check if the microphone is off in the App settings.
2. Please check if the microphone input hole in the DVR is blocked or not.
- CarPlay can't connect
1. It takes a longer time to connect for the first time.
2. Only iPhone supports Carplay and the system should be iOS13 or above.
3. Check if the phone's WiFi and Bluetooth are turned on.
4. You need to delete the WiFi that is connecting and can't provide the network, such as carlink...
5. Go to the phone settings-General-CarPlay Car, delete all the records and reconnect.
6. Restart the phone and reconnect it. Go to Settings-General-CarPlay, delete all records and reconnect.
- Android Auto can't connect
1. It takes longer to connect for the first time.
2. Only Android phones have support for Android Auto and the system has to be Android 11 or above.
3. Check that the phone's WiFi and Bluetooth are turned on.
4. You need to delete the WiFi that is connecting and can't provide a network, such as carlink...
5. Go to phone settings - connected devices - Android Auto - previously connected cars - accepted cars - remove all records and reconnect.
6. Restart your phone and reconnect.
- To use cell phone connectivity
We recommend that the cell phone is located within 2 meters of the main unit, making sure that there are no metal obstacles or sources of interference in the surrounding area.

Notices

- Please wear the gloves with touchscreen function when you need to wear gloves to operate the N1.
- Please follow the manual to install the TF card to avoid damage to the Smart Screen N1 or TF card due to incorrect operation.
- Please ensure the vehicle power supply is 12Vdc to prevent issues such as failure to start up, automatic shutdown, or potential damage to the intelligent screen recorder due to power supply problems.
- When installing the main unit and wiring harness, keep them away from heat sources and electromagnetic interference to prevent malfunctions in the N1.
- Before connecting the connector, check if the waterproof sealing ring is intact and in place to prevent water ingress, loosening, and other issues.
- Please select a TF card with a writing speed higher than U1. Unqualified TF cards may not work properly.
- INNOVV N1 is a high-precision product that should not be dropped or severely impacted.

Customer Support

For more information about INNOVV products and accessories, please refer to www.innovv.com or www.innovv-powersports.com. For any suggestions or customer support, please contact us by sending an E-mail to cs@innovv.com.

www.innovv.com